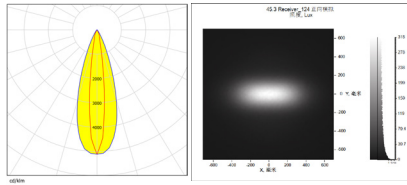
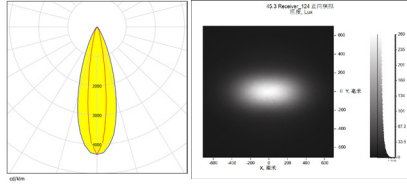


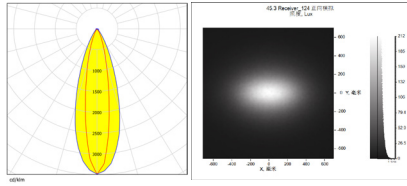
LED:CREE XPE2
 角度/FWHM:13.5*34°
 光效/Efficiency:93%
 峰值强度/Peakintensity:5.37CD/LM
 光学面数量/LED/each optic:1
 灯光颜色/Light colour:白色/White
 所需组件/Required components:



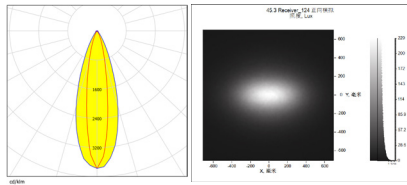
LED:CREE XPG2
 角度/FWHM:16*33.5°
 光效/Efficiency:93%
 峰值强度/Peakintensity:4.58CD/LM
 光学面数量/LED/each optic:1
 灯光颜色/Light colour:白色/White
 所需组件/Required components:



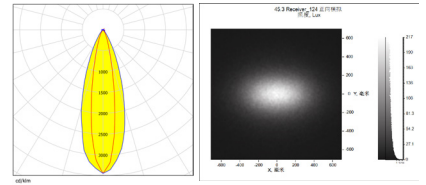
LED:CREE 3030
 角度/FWHM:18.7*34°
 光效/Efficiency:93%
 峰值强度/Peakintensity:3.68CD/LM
 光学面数量/LED/each optic:1
 灯光颜色/Light colour:白色/White
 所需组件/Required components:



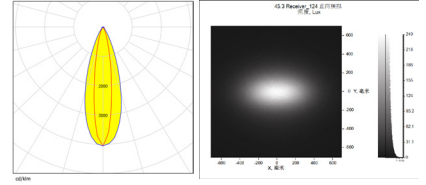
LED:LUXEON 3030 Round
 角度/FWHM:17.5*34°
 光效/Efficiency:93%
 峰值强度/Peakintensity:3.98CD/LM
 光学面数量/LED/each optic:1
 灯光颜色/Light colour:白色/White
 所需组件/Required components:



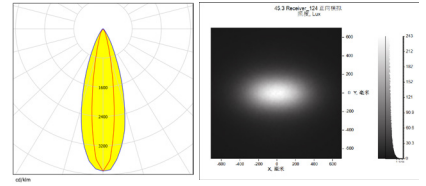
LED:NICHIA 219
 角度/FWHM:18.5*33.7°
 光效/Efficiency:93%
 峰值强度/Peakintensity:3.71CD/LM
 光学面数量/LED/each optic:1
 灯光颜色/Light colour:白色/White
 所需组件/Required components:



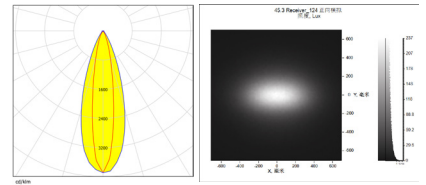
LED:SEOUL MJT3030
 角度/FWHM:17*33.8°
 光效/Efficiency:93%
 峰值强度/Peakintensity:4.26CD/LM
 光学面数量/LED/each optic:1
 灯光颜色/Light colour:白色/White
 所需组件/Required components:



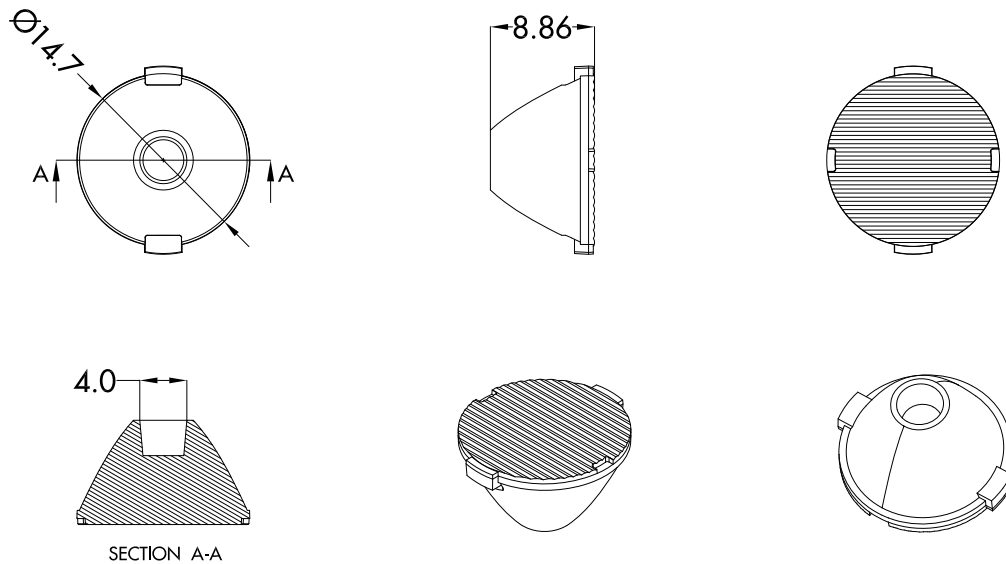
LED:SAMSUNG LH301B
 角度/FWHM:17.6*33.8°
 光效/Efficiency:93%
 峰值强度/Peakintensity:4.13CD/LM
 光学面数量/LED/each optic:1
 灯光颜色/Light colour:白色/White
 所需组件/Required components:



LED:SAMSUNG LM281A
 角度/FWHM:17.1*34°
 光效/Efficiency:93%
 峰值强度/Peakintensity:4.10CD/LM
 光学面数量/LED/each optic:1
 灯光颜色/Light colour:白色/White
 所需组件/Required components:

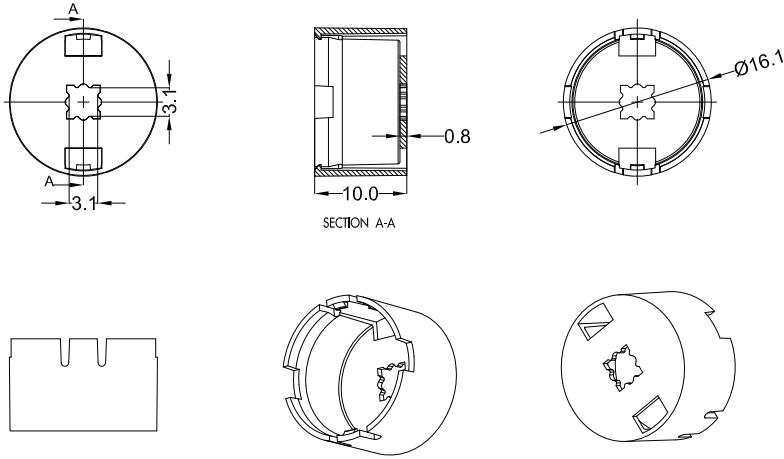


CAD



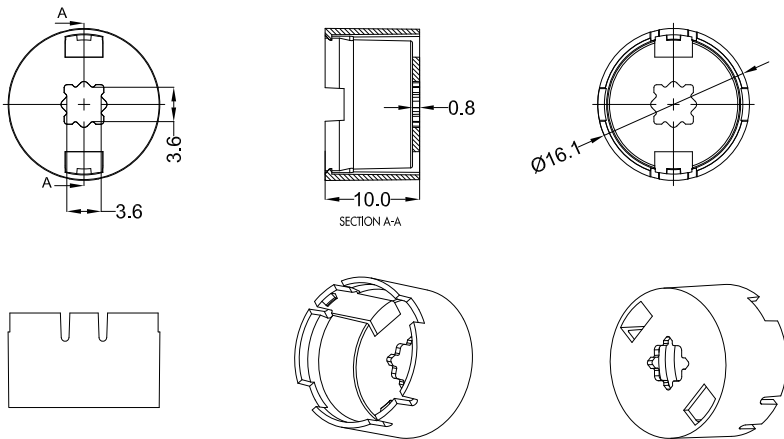
GENERAL TOL ERANCES ISO2768-M (UNLESS STATED) 一般公差ISO 2768-M(除非另有说明)	MATERIL 材质	PMMA	DRAWING TITLE 绘图标题	ILENS878-S16-1530-H
LINEAR/线性	0~5±0.05		5~10±0.1	10~30±0.15
ANGULAR/角度	0°~10°±1°		10°~50°±0.5°	50°~120°±0.3°

H878H-3030



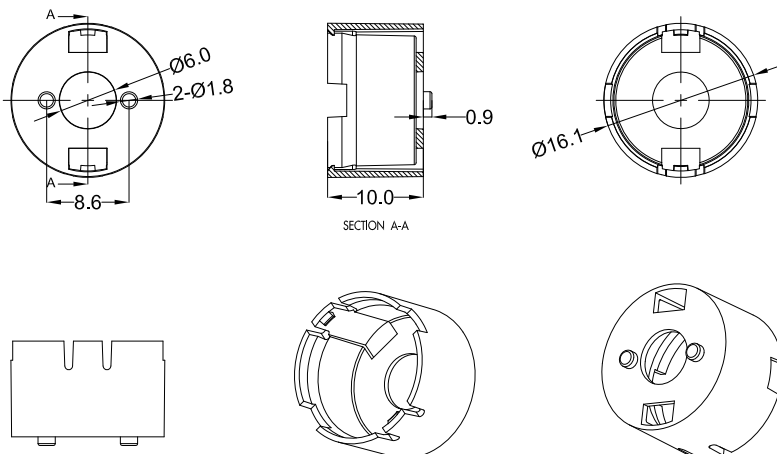
材质/MATERIAL	PC
线性/LINEAR	
0~5±0.05	
5~10±0.1	
10~30±0.15	
角度/ANGULAR	
0°~10°±1°	
10°~50°±0.5°	
50°~120°±0.3°	

H878H-3535



材质/MATERIAL	PC
线性/LINEAR	
0~5±0.05	
5~10±0.1	
10~30±0.15	
角度/ANGULAR	
0°~10°±1°	
10°~50°±0.5°	
50°~120°±0.3°	

H878H-P



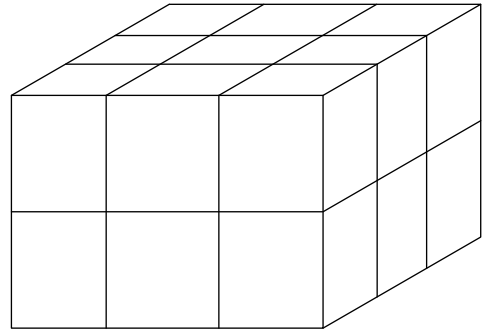
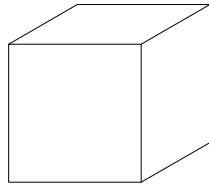
材质/MATERIAL	PC
线性/LINEAR	
0~5±0.05	
5~10±0.1	
10~30±0.15	
角度/ANGULAR	
0°~10°±1°	
10°~50°±0.5°	
50°~120°±0.3°	

非镜面包装/Others Not Mirror Products Packaging

型号/Part No.	数量/QTY
IENS878-S16-1530-H	18000pcs
PE袋/PE bag	1000pcs
内盒/cardboard box(S)	18pcs
外盒/cardboard box(M)	1pcs



1000pcs



1000pcs*18=18000pcs