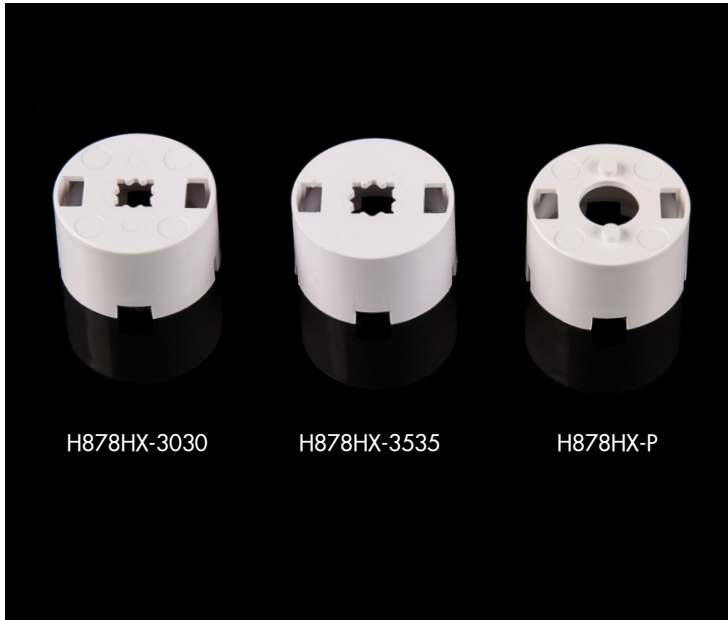


规格/TECHNICAL SPECIFICATIONS

型号/MODEL NUMBER:	I LENS878-S16-2040P10-H
透镜尺寸/LENS DIMENSIONS:	Φ14.7*9.0MM
支架尺寸/HOLDER DIMENSIONS:	Φ14.7*10.0MM
定位方式/FASTENING:	打胶/贴胶/定位柱/Type or Pin
是否符合ROHS/ROHS COMPLIANT:	是/YES

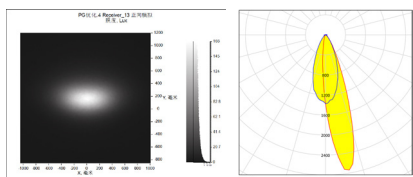


Holder Part No./支架零件号	Colour /颜色	Specification/规格	Function/功能	Fastening/固定
H878H1-3030	Black/黑色		Adapting 3030 LEDs 适配 3030 LED	Type 打胶/贴胶
H878H2-3030	White/白色		Adapting 3535 LEDs 适配 3535 LED	
H878H1-3535	Black/黑色		Adapting 3030 or 3535 LEDs 适配 3030 或 3535 LED	PIN 定位柱
H878H2-3535	White/白色			
H878H1-P	Black/黑色		Adapting 3030 or 3535 LEDs 适配 3030 或 3535 LED	PIN 定位柱
H878H2-P	White/白色			

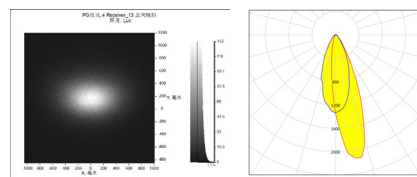
说明/CHARACTERISTIC:

- 透镜有多种不同的配光角度和三种表面处理。
The lens have multiple types beam angles and with three different surfaces treatment.
- 五种不同的支架来匹配不同LED, 贴胶或者定位柱定位安装。
With 5 type brackets to match different leds, Self-adhesive tape or pins for fix.
- 兼容多种灯珠。
Compatible with various lamp beads.
- 适用于洗墙灯和投光灯。
Suitable for wall washing lighting and floodlights.
- 与市面上同类镜头相比, 光效更好, 光斑更漂亮, 兼容性更好。
Compared with similar type lenses on the market, with better light effect, more beautiful spot and better compatibility.

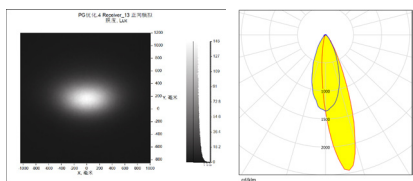
LED:CREE XPE2
 角度/FWHM:19°*40°
 光效/Efficiency:88%
 峰值强度/Peakintensity:3.1CD/LM
 光学面数量/LED/each optic:1
 灯光颜色/Light colour:白色/White
 所需组件/Required components: :



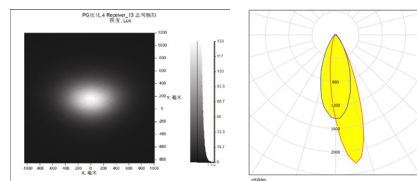
LED:NICHIA 219
 角度/FWHM:24°*40°
 光效/Efficiency:87%
 峰值强度/Peakintensity:2.5CD/LM
 光学面数量/LED/each optic:1
 灯光颜色/Light colour:白色/White
 所需组件/Required components: :



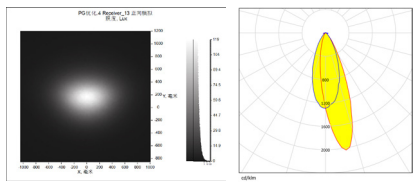
LED:CREE XPG2
 角度/FWHM:22°*40°
 光效/Efficiency:88%
 峰值强度/Peakintensity:2.8CD/LM
 光学面数量/LED/each optic:1
 灯光颜色/Light colour:白色/White
 所需组件/Required components: :



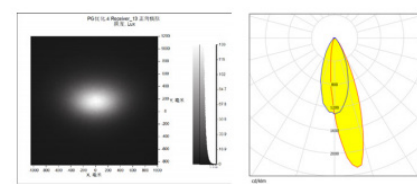
LED:SEOUL MJT3030
 角度/FWHM:26°*42°
 光效/Efficiency:88%
 峰值强度/Peakintensity:2.5CD/LM
 光学面数量/LED/each optic:1
 灯光颜色/Light colour:白色/White
 所需组件/Required components: :



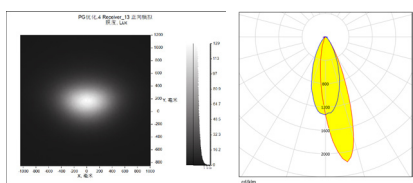
LED:CREE 3030
 角度/FWHM:20°*40°
 光效/Efficiency:88%
 峰值强度/Peakintensity:2.3CD/LM
 光学面数量/LED/each optic:1
 灯光颜色/Light colour:白色/White
 所需组件/Required components: :



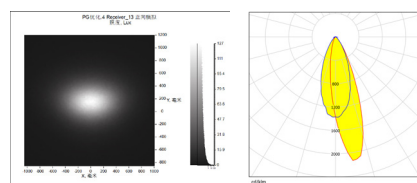
LED:SAMSUNG LH301B
 角度/FWHM:22°*40°
 光效/Efficiency:87%
 峰值强度/Peakintensity:2.6CD/LM
 光学面数量/LED/each optic:1
 灯光颜色/Light colour:白色/White
 所需组件/Required components: :



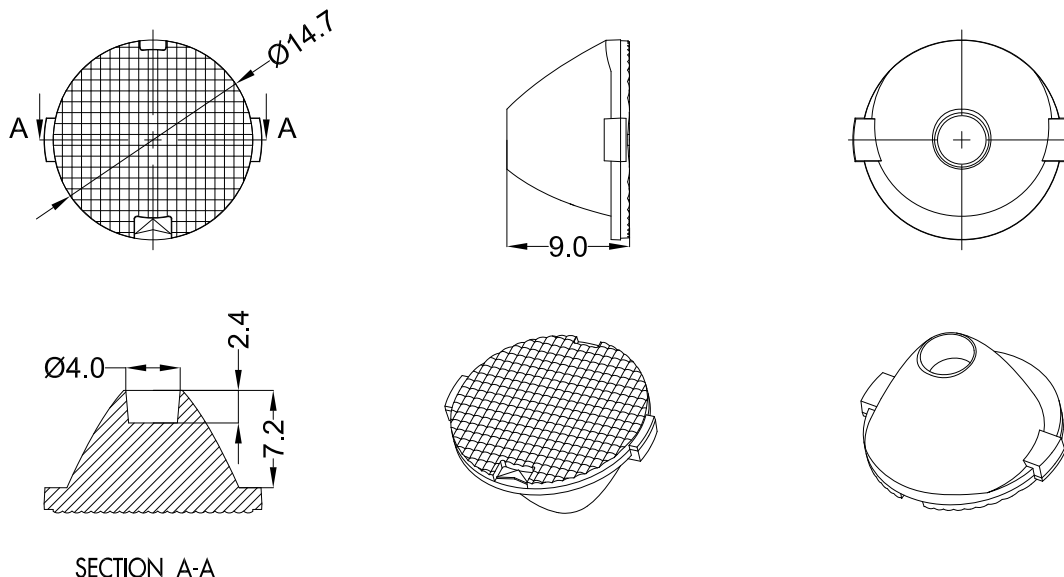
LED:LUXEON 3030 Round
 角度/FWHM:23°*40°
 光效/Efficiency:88%
 峰值强度/Peakintensity:2.5CD/LM
 光学面数量/LED/each optic:1
 灯光颜色/Light colour:白色/White
 所需组件/Required components: :



LED:SAMSUNG LM281A
 角度/FWHM:24°*40°
 光效/Efficiency:88%
 峰值强度/Peakintensity:2.4CD/LM
 光学面数量/LED/each optic:1
 灯光颜色/Light colour:白色/White
 所需组件/Required components: :

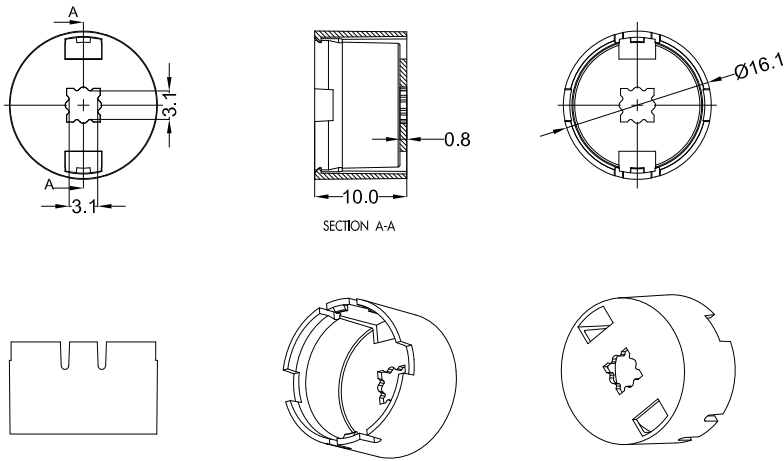


CAD



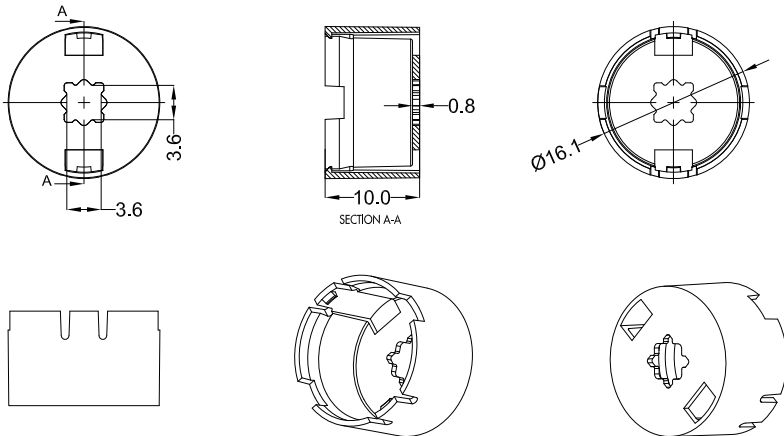
GENERAL TOL ERANCES ISO2768-M (UNLESS STATED) 一般公差ISO 2768-M(除非另有说明)	MATERIL 材质	PMMA	DRAWING TITLE 绘图标题	ILENS878-S16-2040P10-H
LINEAR/线性	0~5±0.05		5~10±0.1	10~30±0.15
ANGULAR/角度	0°~10°±1°		10°~50°±0.5°	50°~120°±0.3°

H878H-3030



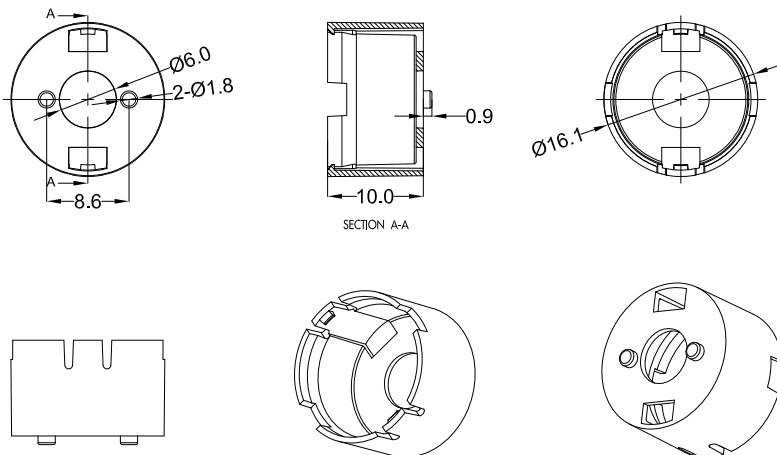
材质/MATERIAL	PC
线性/LINEAR	
0~5±0.05	
5~10±0.1	
10~30±0.15	
角度/ANGULAR	
0°~10°±1°	
10°~50°±0.5°	
50°~120°±0.3°	

H878H-3535



材质/MATERIAL	PC
线性/LINEAR	
0~5±0.05	
5~10±0.1	
10~30±0.15	
角度/ANGULAR	
0°~10°±1°	
10°~50°±0.5°	
50°~120°±0.3°	

H878H-P



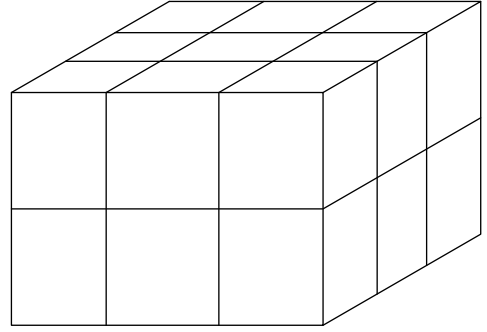
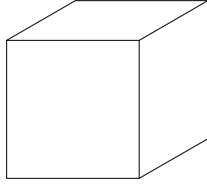
材质/MATERIAL	PC
线性/LINEAR	
0~5±0.05	
5~10±0.1	
10~30±0.15	
角度/ANGULAR	
0°~10°±1°	
10°~50°±0.5°	
50°~120°±0.3°	

非镜面包装/Others Not Mirror Products Packaging

型号/Part No.	数量/QTY
ILENS878-S16-2040P10-H	18000pcs
PE袋/PE bag	1000pcs
内盒/cardboard box(S)	18pcs
外盒/cardboard box(M)	1pcs



1000pcs



1000pcs*18=18000pcs