

规格/TECHNICAL SPECIFICATIONS

型号/MODEL NUMBER:	I LENS878-S16-M10-H
透镜尺寸/LENS DIMENSIONS:	Φ14.7*8.85MM
支架尺寸/HOLDER DIMENSIONS:	Φ14.7*10.0MM
定位方式/FASTENING:	打胶/贴胶/定位柱/Type or Pin
是否符合ROHS/ROHS COMPLIANT:	是/YES

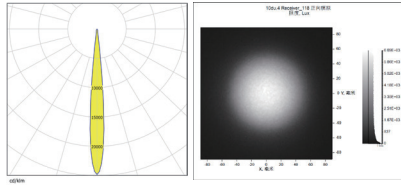


Holder Part No./支架零件号	Colour /颜色	Specification/规格	Function/功能	Fastening/固定
H878H1-3030	Black/黑色		Adapting 3030 LEDs 适配 3030 LED	Type 打胶/贴胶
H878H2-3030	White/白色		Adapting 3535 LEDs 适配 3535 LED	
H878H1-3535	Black/黑色		Adapting 3030 or 3535 LEDs 适配 3030 或 3535 LED	PIN 定位柱
H878H2-3535	White/白色			
H878H1-P	Black/黑色			
H878H2-P	White/白色			

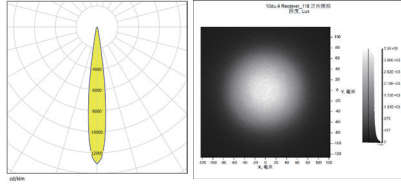
说明/CHARACTERISTIC:

- 透镜有多种不同的配光角度和三种表面处理。
The lens have multiple types beam angles and with three different surfaces treatment.
- 五种不同的支架来匹配不同LED, 贴胶或者定位柱定位安装。
With 5 type brackets to match different leds, Self-adhesive tape or pins for fix.
- 兼容多种灯珠。
Compatible with various lamp beads.
- 适用于洗墙灯和投光灯。
Suitable for wall washing lighting and floodlights.
- 与市面上同类镜头相比, 光效更好, 光斑更漂亮, 兼容性更好。
Compared with similar type lenses on the market,with better light effect ,more beautiful spot and better compatibility.

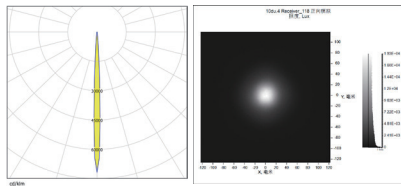
LED:CREE XPE2
 角度/FWHM:10.1°
 光效/Efficiency:94%
 峰值强度/Peakintensity:24.92CD/LM
 光学面数量/LED/each optic:1
 灯光颜色/Light colour:白色/White
 所需组件/Required components:



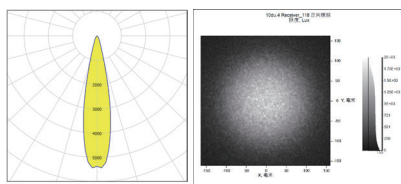
LED:CREE XPG2
 角度/FWHM:14°
 光效/Efficiency:94%
 峰值强度/Peakintensity:13.22CD/LM
 光学面数量/LED/each optic:1
 灯光颜色/Light colour:白色/White
 所需组件/Required components:



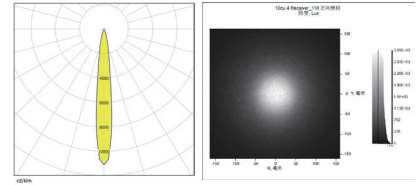
LED:CREE XQA
 角度/FWHM:4.8°
 光效/Efficiency:94%
 峰值强度/Peakintensity:71.94CD/LM
 光学面数量/LED/each optic:1
 灯光颜色/Light colour:白色/White
 所需组件/Required components:



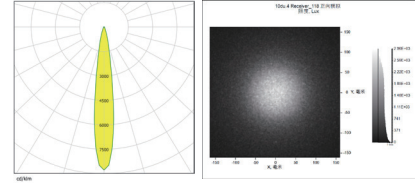
LED:CREE XML
 角度/FWHM:22°
 光效/Efficiency:94%
 峰值强度/Peakintensity:5.50CD/LM
 光学面数量/LED/each optic:1
 灯光颜色/Light colour:白色/White
 所需组件/Required components:



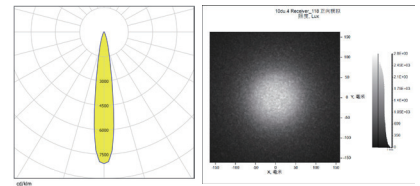
LED:OSRAM 3737
 角度/FWHM:12.3°
 光效/Efficiency:94%
 峰值强度/Peakintensity:11.23CD/LM
 光学面数量/LED/each optic:1
 灯光颜色/Light colour:白色/White
 所需组件/Required components:



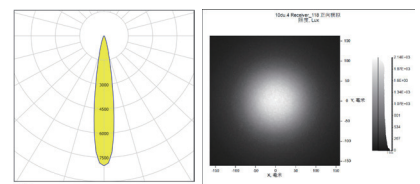
LED:NICHIA NVSW219B
 角度/FWHM:14.6°
 光效/Efficiency:94%
 峰值强度/Peakintensity:9.00CD/LM
 光学面数量/LED/each optic:1
 灯光颜色/Light colour:白色/White
 所需组件/Required components:



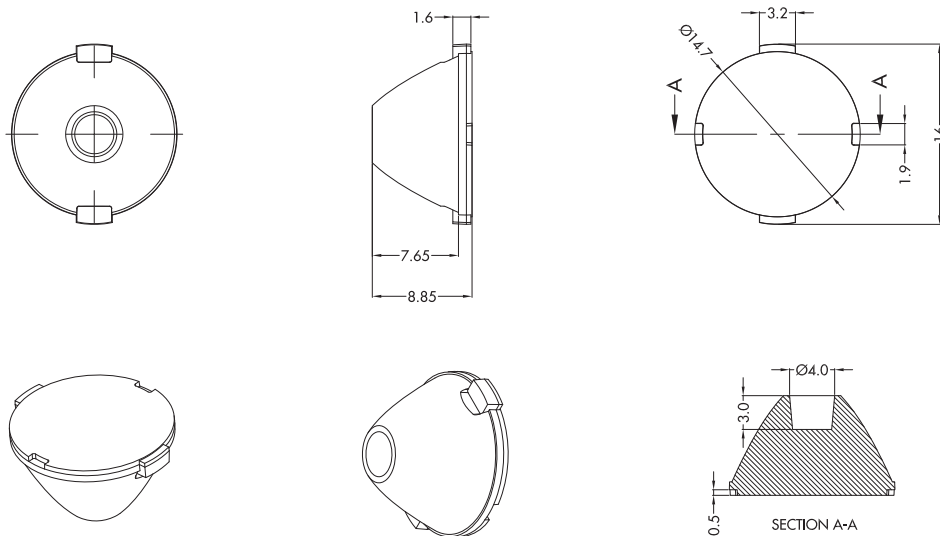
LED:NICHIA NVSW119CT
 角度/FWHM:15.6°
 光效/Efficiency:94%
 峰值强度/Peakintensity:8.27CD/LM
 光学面数量/LED/each optic:1
 灯光颜色/Light colour:白色/White
 所需组件/Required components:



LED:SEOUL Z5M4
 角度/FWHM:16.7°
 光效/Efficiency:94%
 峰值强度/Peakintensity:8.10CD/LM
 光学面数量/LED/each optic:1
 灯光颜色/Light colour:白色/White
 所需组件/Required components:



CAD



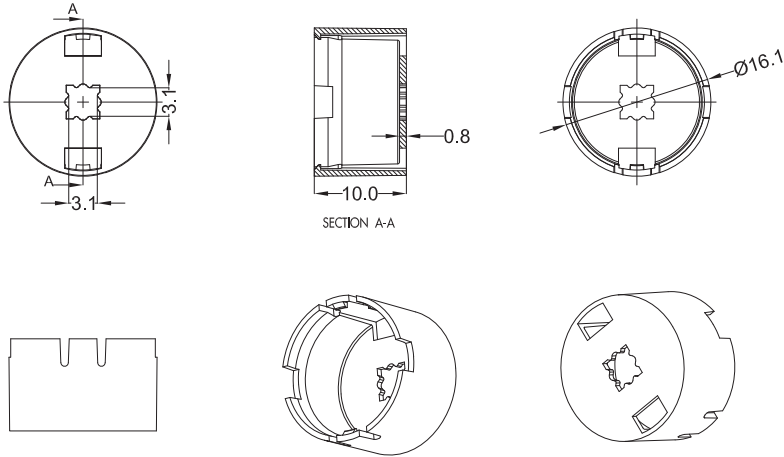
注意/NOTE:

1. 镜片表面应光滑无划痕、气泡、凹痕和黑点。

The surface of the lens should be smooth without scratches, bubbles, dents and black spots.

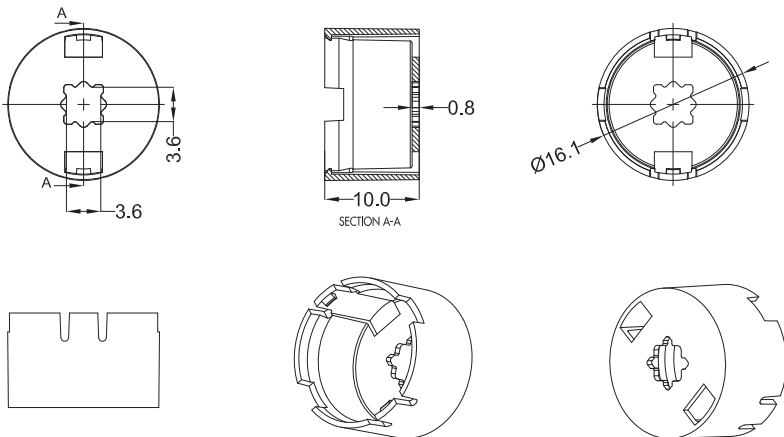
GENERAL TOLERANCES ISO2768-M (UNLESS STATED) 一般公差ISO 2768-M (除非另有说明)	MATERIAL 材质	PMMA	DRAWING TITLE 绘图标题	I LENS878-S16-M10-H
LINEAR/线性	0~5±0.05		5~10±0.1	10~30±0.15
ANGULAR/角度	0°~10°±1°		10°~50°±0.5°	50°~120°±0.3°

H878H-3030



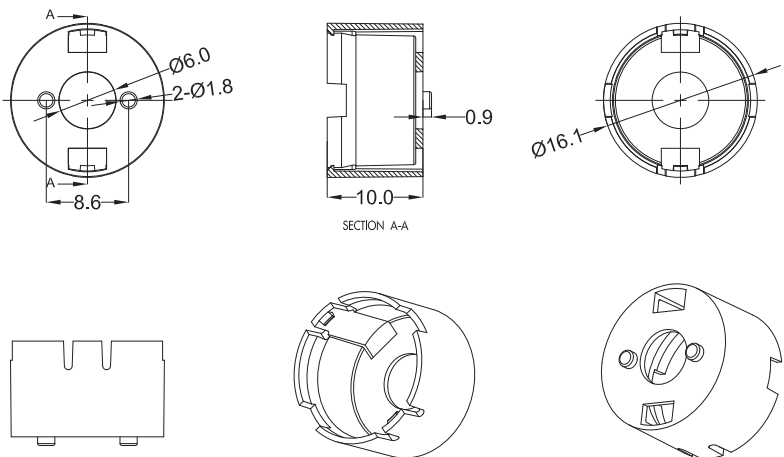
材质/MATERIAL	PC
线性/LINEAR	
0~5±0.05	
5~10±0.1	
10~30±0.15	
角度/ANGULAR	
0°~10°±1°	
10°~50°±0.5°	
50°~120°±0.3°	

H878H-3535



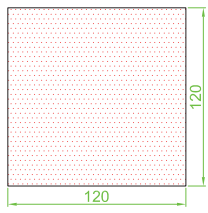
材质/MATERIAL	PC
线性/LINEAR	
0~5±0.05	
5~10±0.1	
10~30±0.15	
角度/ANGULAR	
0°~10°±1°	
10°~50°±0.5°	
50°~120°±0.3°	

H878H-P

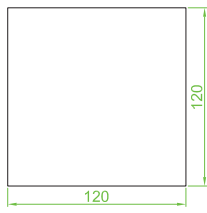


材质/MATERIAL	PC
线性/LINEAR	
0~5±0.05	
5~10±0.1	
10~30±0.15	
角度/ANGULAR	
0°~10°±1°	
10°~50°±0.5°	
50°~120°±0.3°	

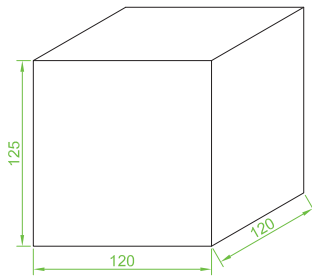
镜面包装/Mirror Products Packaging



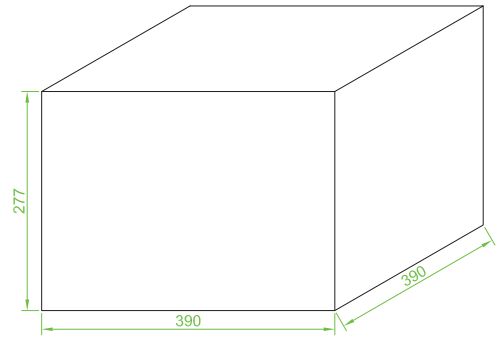
静电纸
MG tissue paper (19g)



层纸
cardboard (0.4mm)



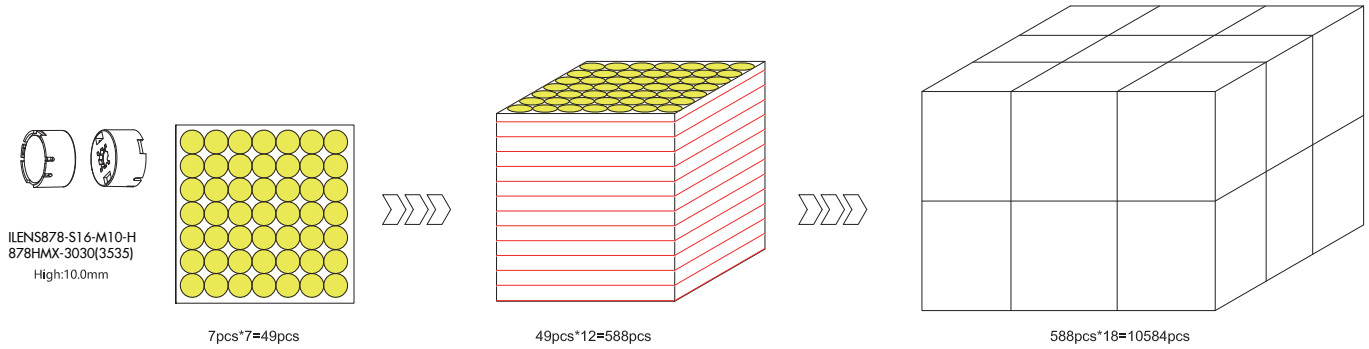
内盒
cardboard box(S)



外盒
cardboard box(M) 2:1

型号/Part No.	数量/QTY
I LENS878-S16-M10-H 878HMX-3030(3535)	10584pcs
静电纸/MG tissue paper (19g)	216pcs
层纸/cardboard (0.4mm)	234pcs
内盒/cardboard box(S)	18pcs
外盒/cardboard box(M)	1pcs

示意图/The schematic diagram:



型号/Part No.	数量/QTY
I LENS878-S16-M10-H 878HMX-P	9702pcs
静电纸/MG tissue paper (19g)	216pcs
层纸/cardboard (0.4mm)	198pcs
内盒/cardboard box(S)	18pcs
外盒/cardboard box(M)	1pcs

示意图/The schematic diagram:

