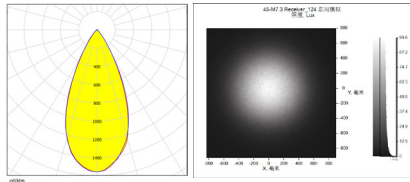
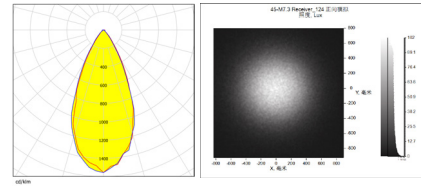


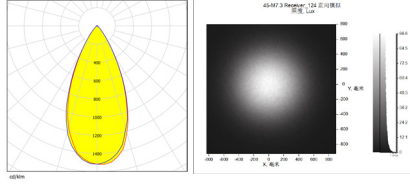
LED:CREE XPE2
 角度/FWHM:47°
 光效/Efficiency:95%
 峰值强度/Peakintensity:1.60CD/LM
 光学面数量/LED/each optic:1
 灯光颜色/Light colour:白色/White
 所需组件/Required components:



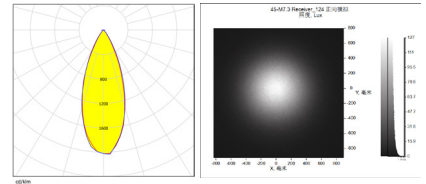
LED:NICHIA 219
 角度/FWHM:46°
 光效/Efficiency:95%
 峰值强度/Peakintensity:1.60CD/LM
 光学面数量/LED/each optic:1
 灯光颜色/Light colour:白色/White
 所需组件/Required components:



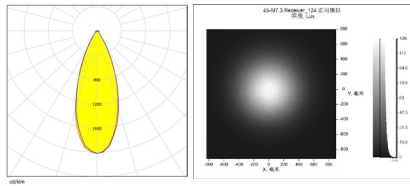
LED:CREE XPG2
 角度/FWHM:46.8°
 光效/Efficiency:95%
 峰值强度/Peakintensity:1.55CD/LM
 光学面数量/LED/each optic:1
 灯光颜色/Light colour:白色/White
 所需组件/Required components:



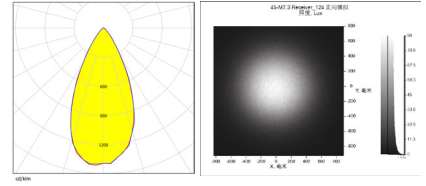
LED:SEOUL MJT3030
 角度/FWHM:38.8°
 光效/Efficiency:95%
 峰值强度/Peakintensity:2.07CD/LM
 光学面数量/LED/each optic:1
 灯光颜色/Light colour:白色/White
 所需组件/Required components:



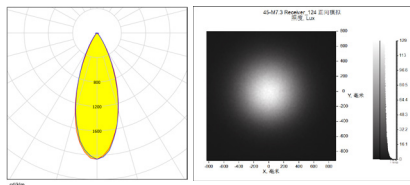
LED:CREE 3030
 角度/FWHM:38.5°
 光效/Efficiency:95%
 峰值强度/Peakintensity:2.05CD/LM
 光学面数量/LED/each optic:1
 灯光颜色/Light colour:白色/White
 所需组件/Required components:



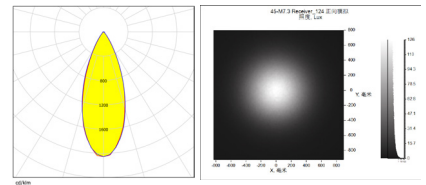
LED:SAMSUNG LH301B
 角度/FWHM:49°
 光效/Efficiency:95%
 峰值强度/Peakintensity:1.45CD/LM
 光学面数量/LED/each optic:1
 灯光颜色/Light colour:白色/White
 所需组件/Required components:



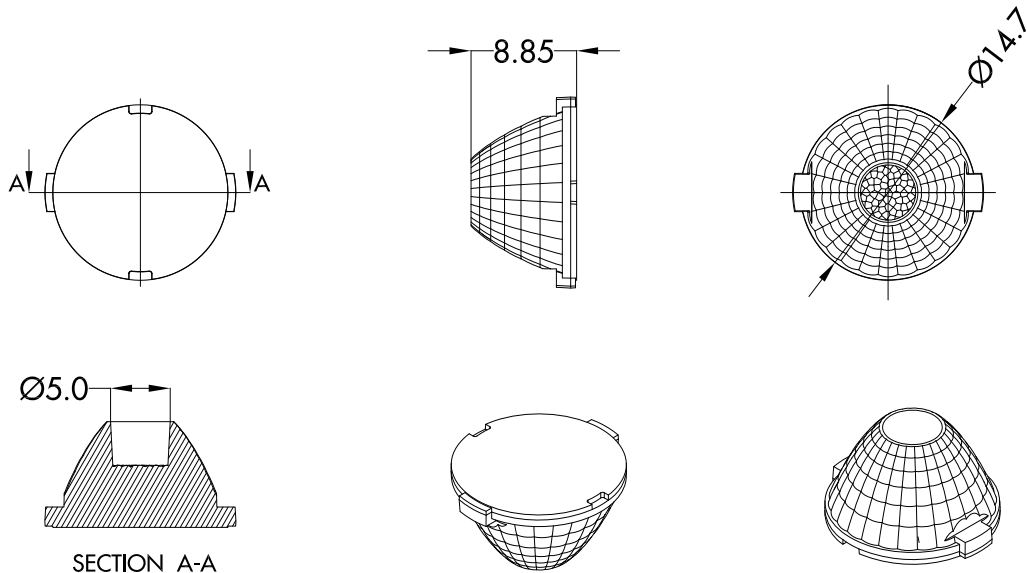
LED:LUXEON 3030 Round
 角度/FWHM:38°
 光效/Efficiency:95%
 峰值强度/Peakintensity:2.10CD/LM
 光学面数量/LED/each optic:1
 灯光颜色/Light colour:白色/White
 所需组件/Required components:



LED:SAMSUNG LM281A
 角度/FWHM:38.3°
 光效/Efficiency:95%
 峰值强度/Peakintensity:2.09CD/LM
 光学面数量/LED/each optic:1
 灯光颜色/Light colour:白色/White
 所需组件/Required components:

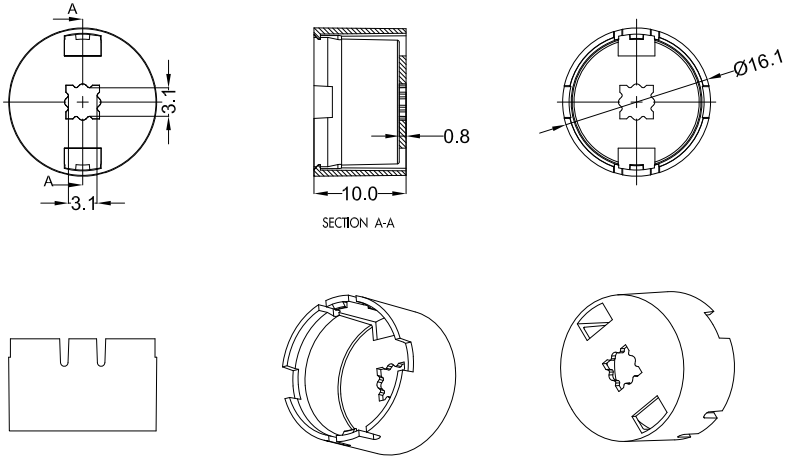


CAD



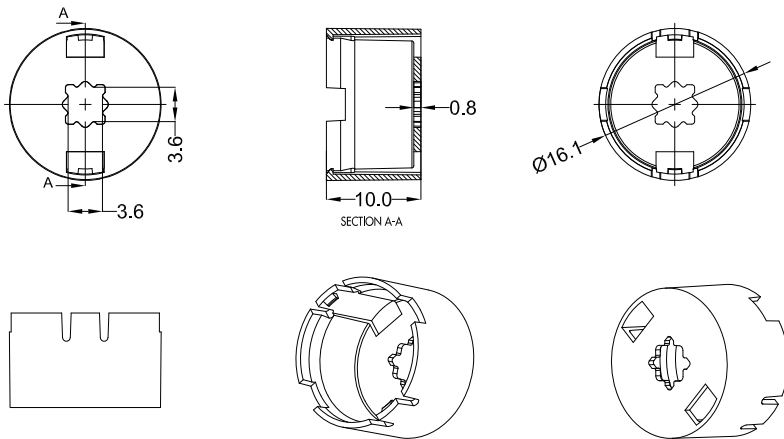
GENERAL TOLERANCES ISO2768-M (UNLESS STATED) 一般公差ISO 2768-M (除非另有说明)	MATERIAL 材质	PMMA	DRAWING TITLE 绘图标题	ILENS878-S16-M45-H
LINEAR/线性	0~5±0.05		5~10±0.1	10~30±0.15
ANGULAR/角度	0°~10°±1°		10°~50°±0.5°	50°~120°±0.3°

H878H-3030



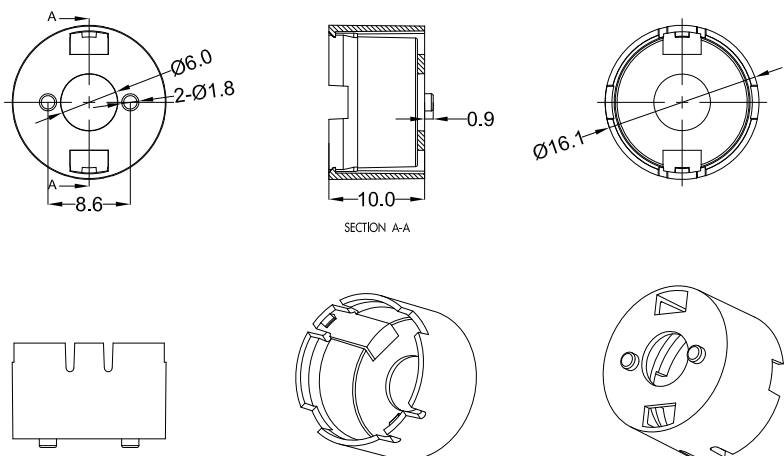
材质/MATERIL	PC
线性/LINEAR	
0~5±0.05	
5~10±0.1	
10~30±0.15	
角度/ANGULAR	
0°~10°±1°	
10°~50°±0.5°	
50°~120°±0.3°	

H878H-3535



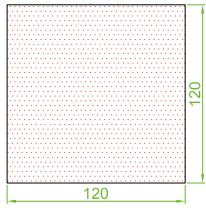
材质/MATERIL	PC
线性/LINEAR	
0~5±0.05	
5~10±0.1	
10~30±0.15	
角度/ANGULAR	
0°~10°±1°	
10°~50°±0.5°	
50°~120°±0.3°	

H878H-P

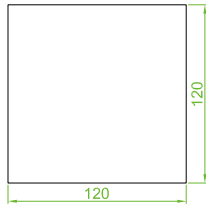


材质/MATERIL	PC
线性/LINEAR	
0~5±0.05	
5~10±0.1	
10~30±0.15	
角度/ANGULAR	
0°~10°±1°	
10°~50°±0.5°	
50°~120°±0.3°	

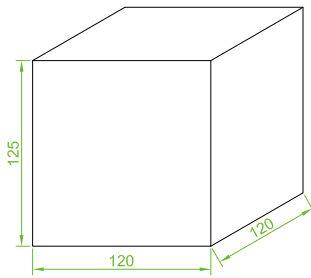
镜面包装/Mirror Products Packaging



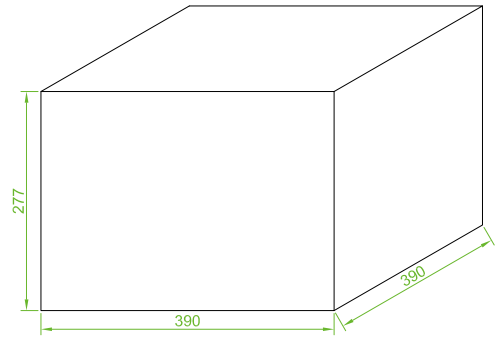
静电纸
MG tissue paper (19g)



层纸
cardboard (0.4mm)



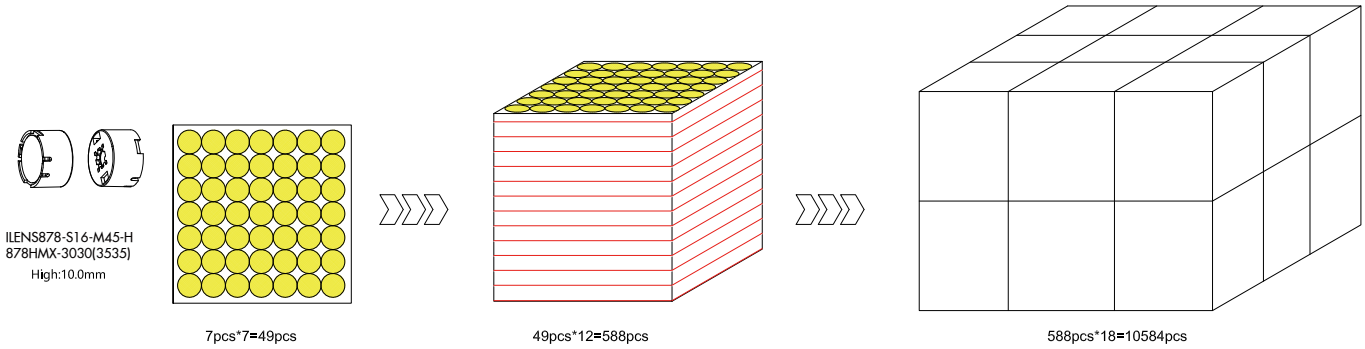
内盒
cardboard box(S)



外盒
cardboard box(M) 2:1

型号/Part No.	数量/QTY
IENS878-S16-M45-H 878HMX-3030(3535)	10584pcs
静电纸/MG tissue paper (19g)	216pcs
层纸/cardboard (0.4mm)	234pcs
内盒/cardboard box(S)	18pcs
外盒/cardboard box(M)	1pcs

示意图/The schematic diagram:



型号/Part No.	数量/QTY
IENS878-S16-M45-H 878HMX-P	9702pcs
静电纸/MG tissue paper (19g)	216pcs
层纸/cardboard (0.4mm)	198pcs
内盒/cardboard box(S)	18pcs
外盒/cardboard box(M)	1pcs

示意图/The schematic diagram:

