

规格/TECHNICAL SPECIFICATIONS

| | |
|--------------------------|-----------------------|
| 型号/MODEL NUMBER: | I LENS705-S13-FR15-H |
| 透镜尺寸/LENS DIMENSIONS: | Φ11.5*6.35MM |
| 支架尺寸/HOLDER DIMENSIONS: | Φ12.8*7.5MM |
| 定位方式/FASTENING: | 打胶/贴胶/定位柱/Type or Pin |
| 是否符合ROHS/ROHS COMPLIANT: | 是/YES |

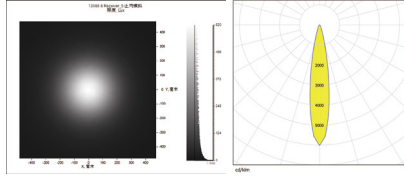


| Holder Part No./支架零件号 | Colour /颜色 | Specification/规格 | Function/功能 | Fastening/固定 |
|-----------------------|------------|------------------|---|---------------|
| H705M1-3030 | Black/黑色 | | Adapting 3030 LED 适配 3030 LED | Type 打胶/贴胶 |
| H705M2-3030 | White/白色 | | Adapting 3535 LED 适配 3535 LED | |
| H705M1-3535 | Black/黑色 | | Adapting 3030 or 3535 LED 适配 3030 或 3535 LED | PIN 定位柱 |
| H705M2-3535 | White/白色 | | | |
| H705M1-P | Black/黑色 | | | |
| H705M2-P | White/白色 | | | |

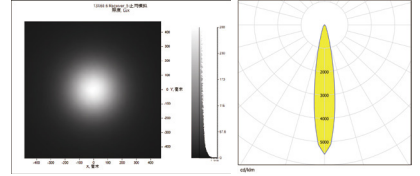
说明/CHARACTERISTIC:

- 透镜有多种不同的配光角度。
The lens have multiple types beam angles.
- 六种不同的支架来匹配不同LED, 贴胶或者定位柱定位安装。
With 6 type brackets to match different leds, Self-adhesive tape or pins for fix.
- 兼容多种灯珠。
Compatible with various lamp beads.
- 适用于洗墙灯和投光灯。
Suitable for wall washing lighting and floodlights.
- 与市面上同类镜头相比, 光效更好, 光斑更漂亮, 兼容性更好。
Compared with similar type lenses on the market, with better light effect, more beautiful spot and better compatibility.

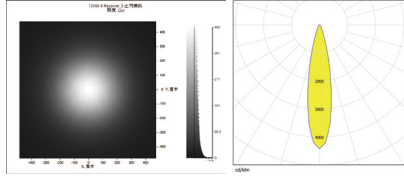
LED:CREE XPE2
 角度/FWHM:17.9°
 光效/Efficiency:90%
 峰值强度/Peakintensity:6.5CD/LM
 光学面数量/LED/each optic:1
 灯光颜色/Light colour:白色/White
 所需组件/Required components:



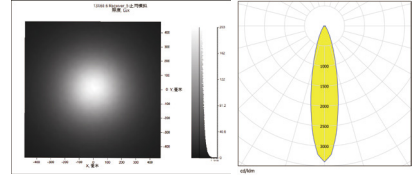
LED:CREE XQE
 角度/FWHM:18°
 光效/Efficiency:90%
 峰值强度/Peakintensity:6CD/LM
 光学面数量/LED/each optic:1
 灯光颜色/Light colour:白色/White
 所需组件/Required components:



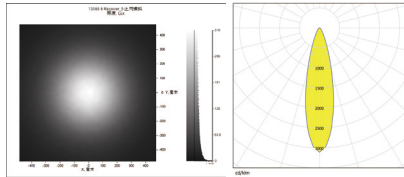
LED:CREE XPG2
 角度/FWHM:21°
 光效/Efficiency:90%
 峰值强度/Peakintensity:4.8CD/LM
 光学面数量/LED/each optic:1
 灯光颜色/Light colour:白色/White
 所需组件/Required components:



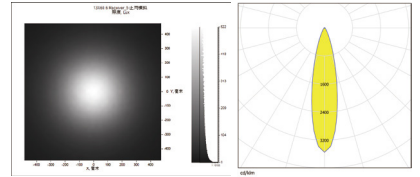
LED:LUXEON 3030 2D
 角度/FWHM:23°
 光效/Efficiency:91%
 峰值强度/Peakintensity:3.6CD/LM
 光学面数量/LED/each optic:1
 灯光颜色/Light colour:白色/White
 所需组件/Required components:



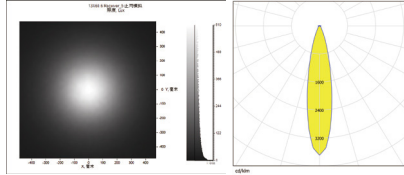
LED:CREE XPG3
 角度/FWHM:25.3°
 光效/Efficiency:90%
 峰值强度/Peakintensity:3.4CD/LM
 光学面数量/LED/each optic:1
 灯光颜色/Light colour:白色/White
 所需组件/Required components:



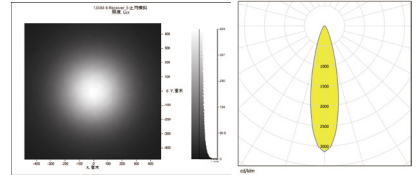
LED:LUXEON TX
 角度/FWHM:23.2°
 光效/Efficiency:90%
 峰值强度/Peakintensity:3.8CD/LM
 光学面数量/LED/each optic:1
 灯光颜色/Light colour:白色/White
 所需组件/Required components:



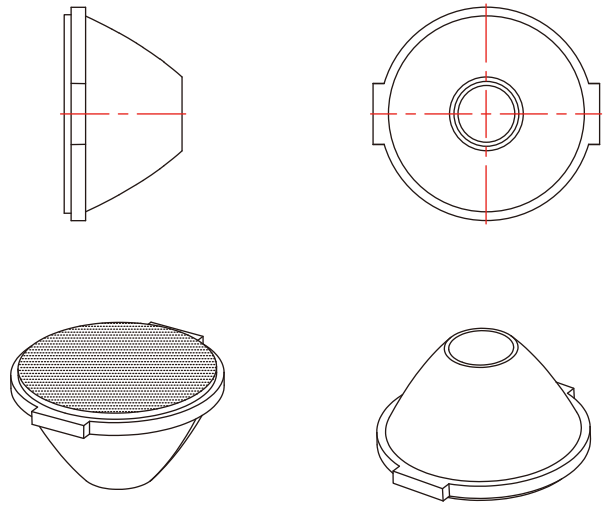
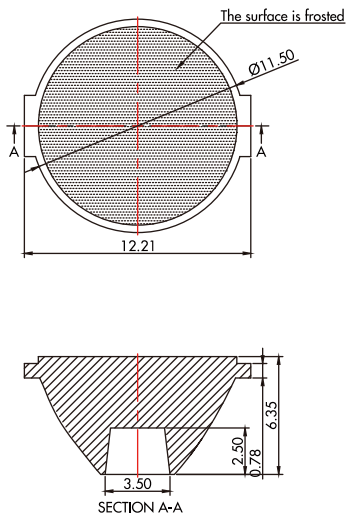
LED:CREE XD16
 角度/FWHM:21.6°
 光效/Efficiency:92%
 峰值强度/Peakintensity:3.9CD/LM
 光学面数量/LED/each optic:1
 灯光颜色/Light colour:白色/White
 所需组件/Required components:



LED:LUXEON LH351B
 角度/FWHM:24.8°
 光效/Efficiency:90%
 峰值强度/Peakintensity:3.4CD/LM
 光学面数量/LED/each optic:1
 灯光颜色/Light colour:白色/White
 所需组件/Required components:



CAD



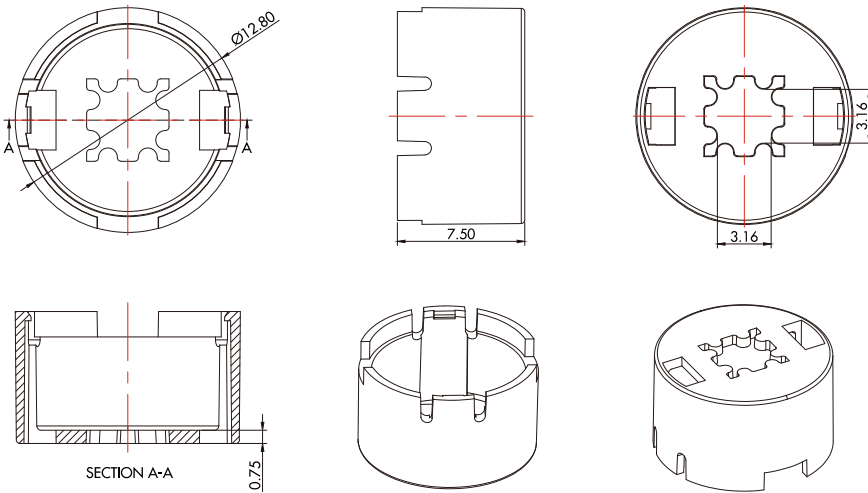
注意/NOTE:

1. 镜片表面应光滑无划痕、气泡、凹痕和黑点。

The surface of the lens should be smooth without scratches, bubbles, dents and black spots.

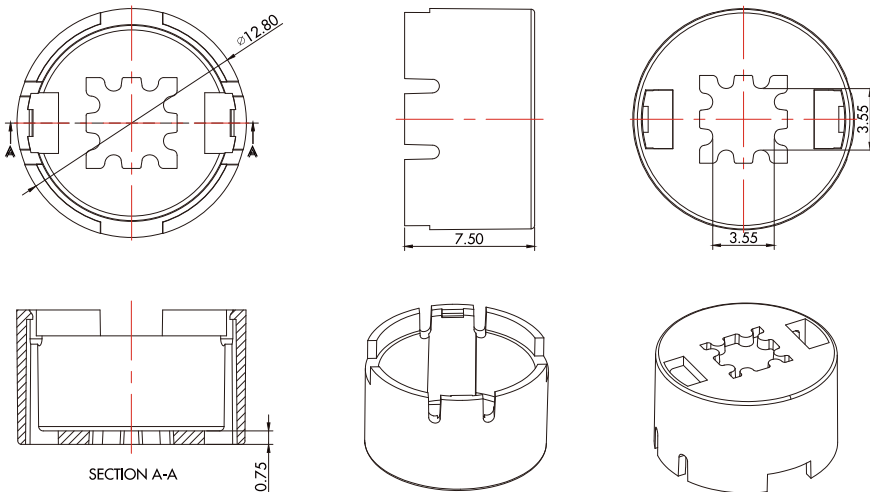
| GENERAL TOLERANCES ISO2768-M (UNLESS STATED) 一般公差ISO 2768-M (除非另有说明) | MATERIAL 材质 | PMMA | DRAWING TITLE 绘图标题 | ILENS705-S13-FR15-H |
|---|----------------|------|-----------------------|---------------------|
| LINEAR/线性 | 0~5±0.05 | | 5~10±0.1 | 10~30±0.15 |
| ANGULAR/角度 | 0°~10°±1° | | 10°~50°±0.5° | 50°~120°±0.3° |

H705MX-3030



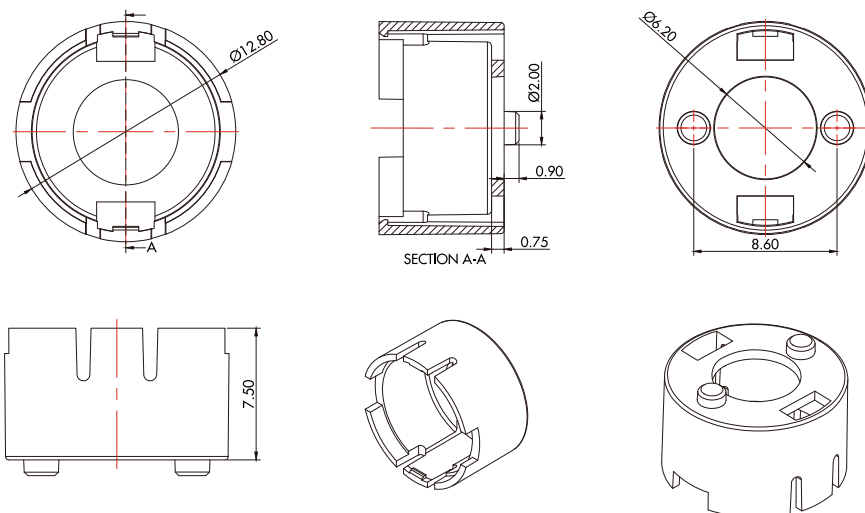
| 材质/MATERIAL | PC |
|---------------|----|
| 线性/LINEAR | |
| 0~5±0.05 | |
| 5~10±0.1 | |
| 10~30±0.15 | |
| 角度/ANGULAR | |
| 0°~10°±1° | |
| 10°~50°±0.5° | |
| 50°~120°±0.3° | |

H705MX-3535



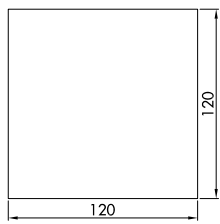
| 材质/MATERIAL | PC |
|---------------|----|
| 线性/LINEAR | |
| 0~5±0.05 | |
| 5~10±0.1 | |
| 10~30±0.15 | |
| 角度/ANGULAR | |
| 0°~10°±1° | |
| 10°~50°±0.5° | |
| 50°~120°±0.3° | |

H705MX-2PIN

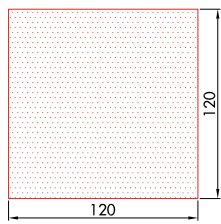


| 材质/MATERIAL | PC |
|---------------|----|
| 线性/LINEAR | |
| 0~5±0.05 | |
| 5~10±0.1 | |
| 10~30±0.15 | |
| 角度/ANGULAR | |
| 0°~10°±1° | |
| 10°~50°±0.5° | |
| 50°~120°±0.3° | |

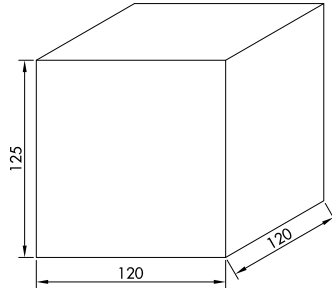
产品包装/Products Packaging



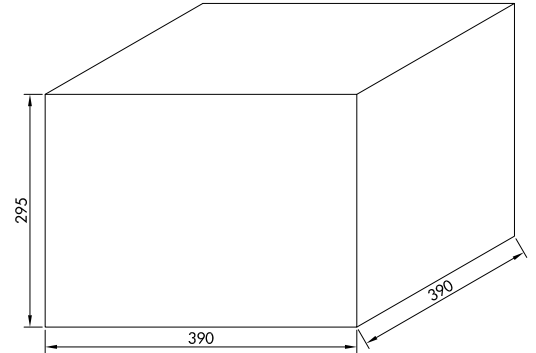
层纸
cardboard (0.4mm thickness)



静电纸
MG tissue paper (19g/m²)



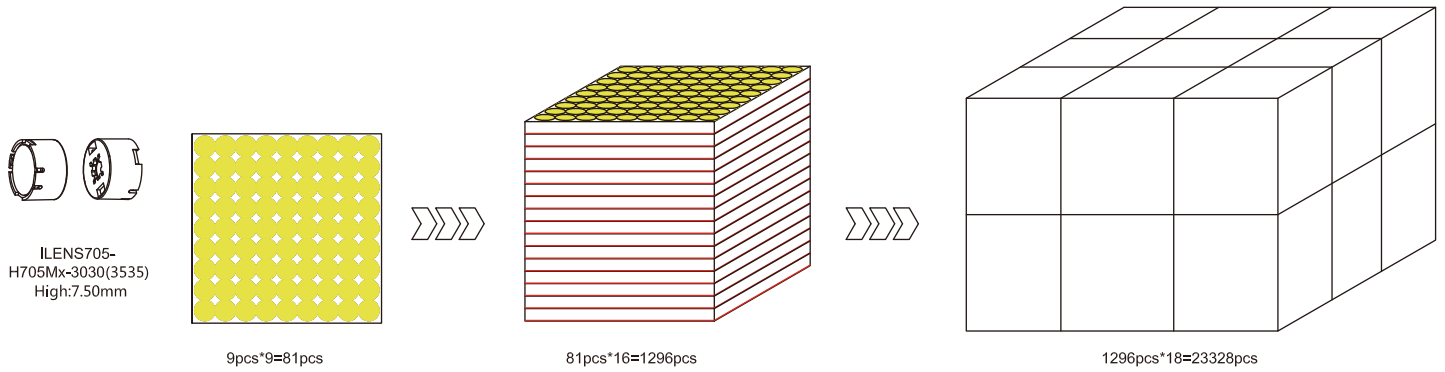
内盒
cardboard box(S)



外盒
cardboard box(M) 2:1

| 型号/Part No. | 数量/QTY |
|---|----------|
| ILENS705-S13-FR15-H705Mx-3030(3535) | 23328pcs |
| 静电纸/MG tissue paper (19g/m ²) | 288pcs |
| 层纸/cardboard (0.4mm thickness) | 306pcs |
| 内盒/cardboard box (S) | 18pcs |
| 外盒/cardboard box (M) | 1pcs |

示意图/The schematic diagram:



| 型号/Part No. | 数量/QTY |
|---|----------|
| ILENS705-S13-FR15-H705Mx-2PIN | 20412pcs |
| 静电纸/MG tissue paper (17g/m ²) | 288pcs |
| 层纸/cardboard (0.4mm thickness) | 306pcs |
| 内盒/cardboard box (S) | 18pcs |
| 外盒/cardboard box (M) | 1pcs |

示意图/The schematic diagram:

