

## 规格/TECHNICAL SPECIFICATIONS

型号/MODEL NUMBER:	I LENS705-S13-M10-H
透镜尺寸/LENS DIMENSIONS:	Φ11.5*6.35MM
支架尺寸/HOLDER DIMENSIONS:	Φ12.8*7.5MM
定位方式/FASTENING:	打胶/贴胶/定位柱/Type or Pin
是否符合ROHS/ROHS COMPLIANT:	是/YES

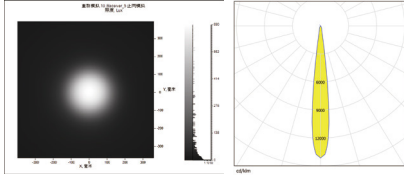


Holder Part No./支架零件号	Colour /颜色	Specification/规格	Function/功能	Fastening/固定	
H705M1-3030	Black/黑色		Adapting 3030 LED 适配 3030 LED	Type 打胶/贴胶	
H705M2-3030	White/白色		Adapting 3535 LED 适配 3535 LED		
H705M1-3535	Black/黑色		Adapting 3030 or 3535 LED 适配 3030 或 3535 LED		PIN 定位柱
H705M2-3535	White/白色				
H705M1-P	Black/黑色				
H705M2-P	White/白色				

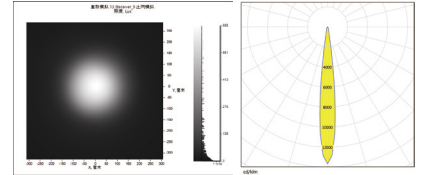
### 说明/CHARACTERISTIC:

- 透镜有多种不同的配光角度。  
The lens have multiple types beam angles.
- 六种不同的支架来匹配不同LED, 贴胶或者定位柱定位安装。  
With 6 type brackets to match different leds, Self-adhesive tape or pins for fix.
- 兼容多种灯珠。  
Compatible with various lamp beads.
- 适用于洗墙灯和投光灯。  
Suitable for wall washing lighting and floodlights.
- 与市面上同类镜头相比, 光效更好, 光斑更漂亮, 兼容性更好。  
Compared with similar type lenses on the market, with better light effect ,more beautiful spot and better compatibility.

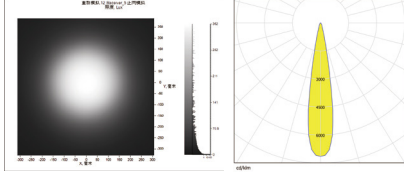
LED:CREE XPE2  
 角度/FWHM:13°  
 光效/Efficiency:94%  
 峰值强度/Peakintensity:14.3CD/LM  
 光学面数量/LED/each optic:1  
 灯光颜色/Light colour:白色/White  
 所需组件/Required components:



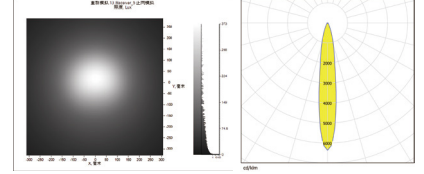
LED:CREE XQE  
 角度/FWHM:12.2°  
 光效/Efficiency:94%  
 峰值强度/Peakintensity:14CD/LM  
 光学面数量/LED/each optic:1  
 灯光颜色/Light colour:白色/White  
 所需组件/Required components:



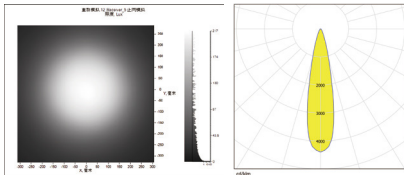
LED:CREE XPG2  
 角度/FWHM:18.4°  
 光效/Efficiency:94%  
 峰值强度/Peakintensity:7.3CD/LM  
 光学面数量/LED/each optic:1  
 灯光颜色/Light colour:白色/White  
 所需组件/Required components:



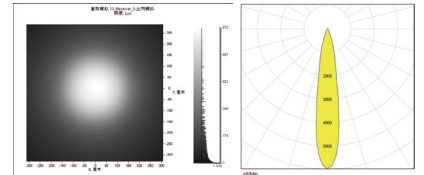
LED:LUXEON 3030 2D  
 角度/FWHM:15°  
 光效/Efficiency:94%  
 峰值强度/Peakintensity:6.5CD/LM  
 光学面数量/LED/each optic:1  
 灯光颜色/Light colour:白色/White  
 所需组件/Required components:



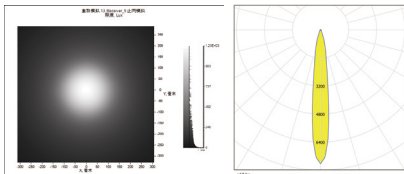
LED:CREE XPG3  
 角度/FWHM:22.4°  
 光效/Efficiency:94%  
 峰值强度/Peakintensity:4.5CD/LM  
 光学面数量/LED/each optic:1  
 灯光颜色/Light colour:白色/White  
 所需组件/Required components:



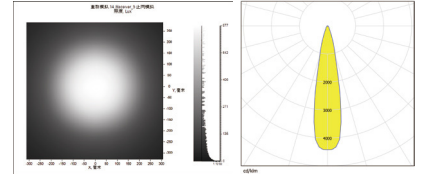
LED:LUXEON TX  
 角度/FWHM:17.5°  
 光效/Efficiency:94%  
 峰值强度/Peakintensity:6.2CD/LM  
 光学面数量/LED/each optic:1  
 灯光颜色/Light colour:白色/White  
 所需组件/Required components:



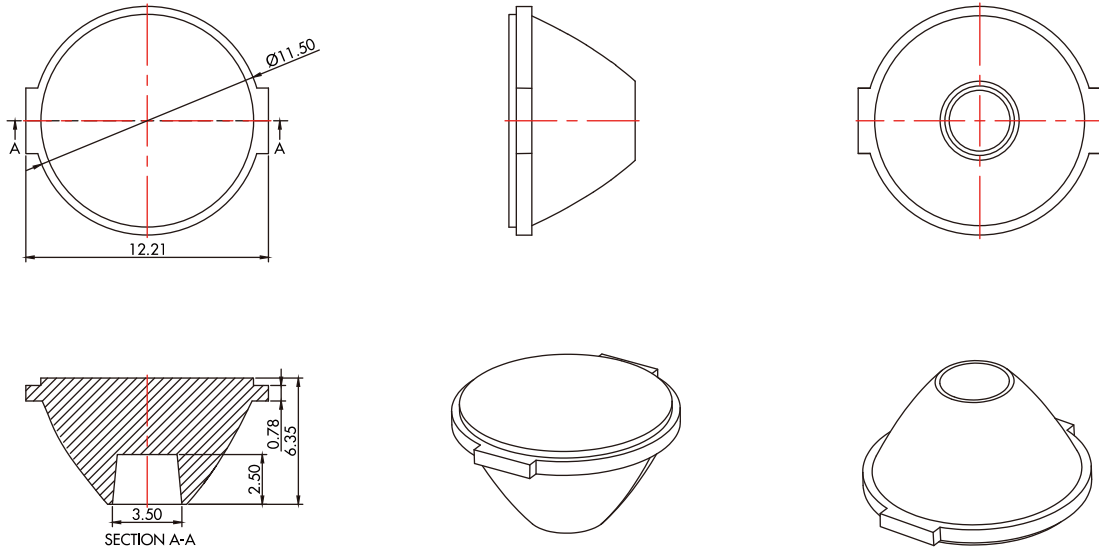
LED:CREE XD16  
 角度/FWHM:13.6°  
 光效/Efficiency:94%  
 峰值强度/Peakintensity:7.8CD/LM  
 光学面数量/LED/each optic:1  
 灯光颜色/Light colour:白色/White  
 所需组件/Required components:



LED:LUXEON LH351B  
 角度/FWHM:22°  
 光效/Efficiency:94%  
 峰值强度/Peakintensity:4.6CD/LM  
 光学面数量/LED/each optic:1  
 灯光颜色/Light colour:白色/White  
 所需组件/Required components:



CAD



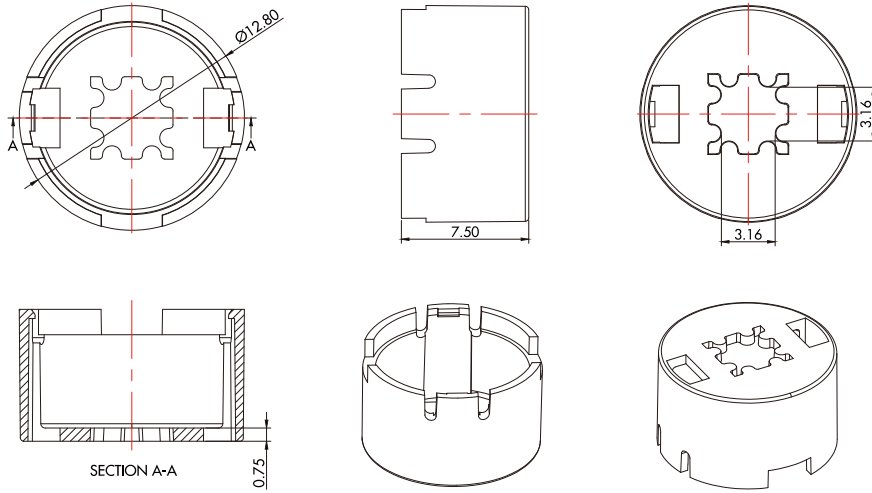
注意/NOTE:

1. 镜片表面应光滑无划痕、气泡、凹痕和黑点。

The surface of the lens should be smooth without scratches, bubbles, dents and black spots.

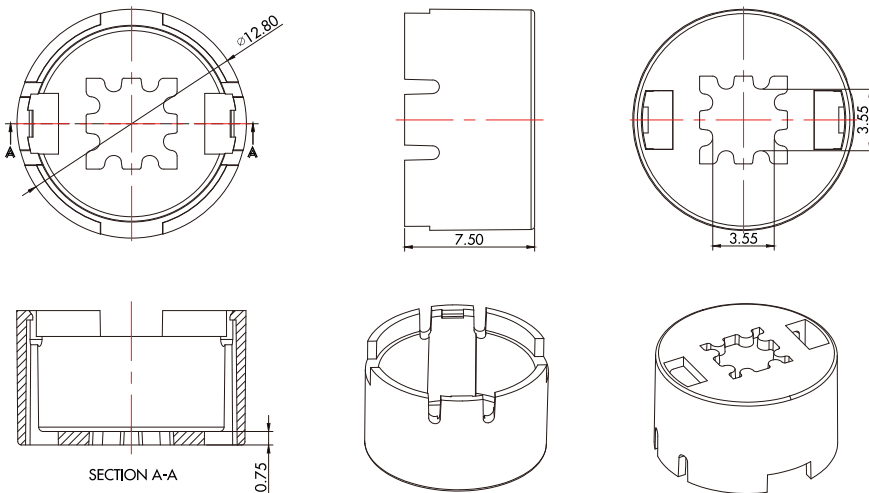
GENERAL TOL ERANCES ISO2768-M (UNLESS STATED) 一般公差ISO 2768-M (除非另有说明)	MATERIL 材质	PMMA	DRAWING TITLE 绘图标题	ILENS705-S13-M10-H
LINEAR/线性	0~5±0.05		5~10±0.1	10~30±0.15
ANGULAR/角度	0°~10°±1°		10°~50°±0.5°	50°~120°±0.3°

## H705MX-3030



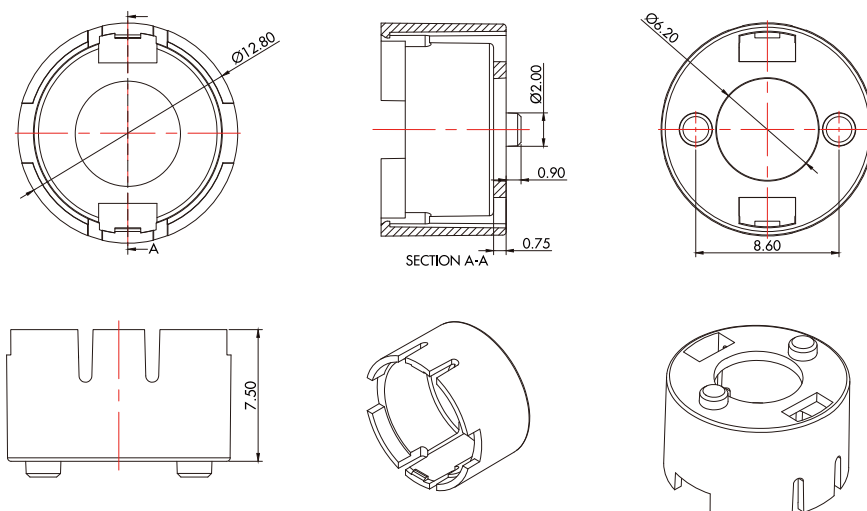
材质/MATERIL	PC
线性/LINEAR	
0~5 $\pm$ 0.05	
5~10 $\pm$ 0.1	
10~30 $\pm$ 0.15	
角度/ANGULAR	
0 $^{\circ}$ ~10 $^{\circ}$ $\pm$ 1 $^{\circ}$	
10 $^{\circ}$ ~50 $^{\circ}$ $\pm$ 0.5 $^{\circ}$	
50 $^{\circ}$ ~120 $^{\circ}$ $\pm$ 0.3 $^{\circ}$	

## H705MX-3535



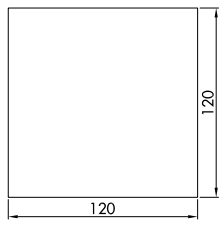
材质/MATERIL	PC
线性/LINEAR	
0~5 $\pm$ 0.05	
5~10 $\pm$ 0.1	
10~30 $\pm$ 0.15	
角度/ANGULAR	
0 $^{\circ}$ ~10 $^{\circ}$ $\pm$ 1 $^{\circ}$	
10 $^{\circ}$ ~50 $^{\circ}$ $\pm$ 0.5 $^{\circ}$	
50 $^{\circ}$ ~120 $^{\circ}$ $\pm$ 0.3 $^{\circ}$	

## H705MX-2PIN

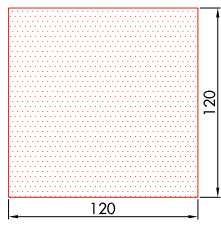


材质/MATERIL	PC
线性/LINEAR	
0~5 $\pm$ 0.05	
5~10 $\pm$ 0.1	
10~30 $\pm$ 0.15	
角度/ANGULAR	
0 $^{\circ}$ ~10 $^{\circ}$ $\pm$ 1 $^{\circ}$	
10 $^{\circ}$ ~50 $^{\circ}$ $\pm$ 0.5 $^{\circ}$	
50 $^{\circ}$ ~120 $^{\circ}$ $\pm$ 0.3 $^{\circ}$	

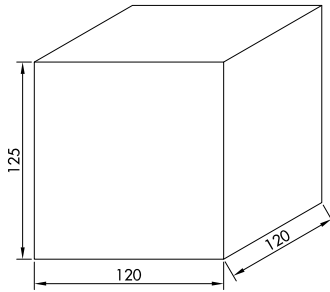
# 产品包装/Products Packaging



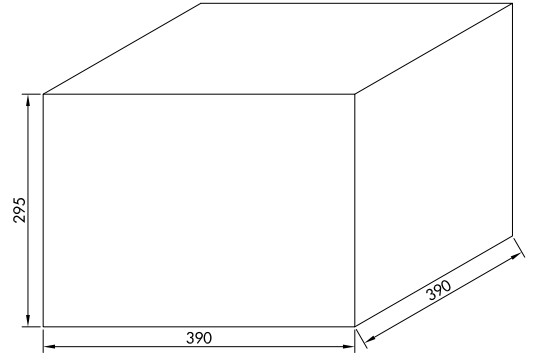
层纸  
cardboard (0.4mm thickness)



静电纸  
MG tissue paper (19g/m<sup>2</sup>)



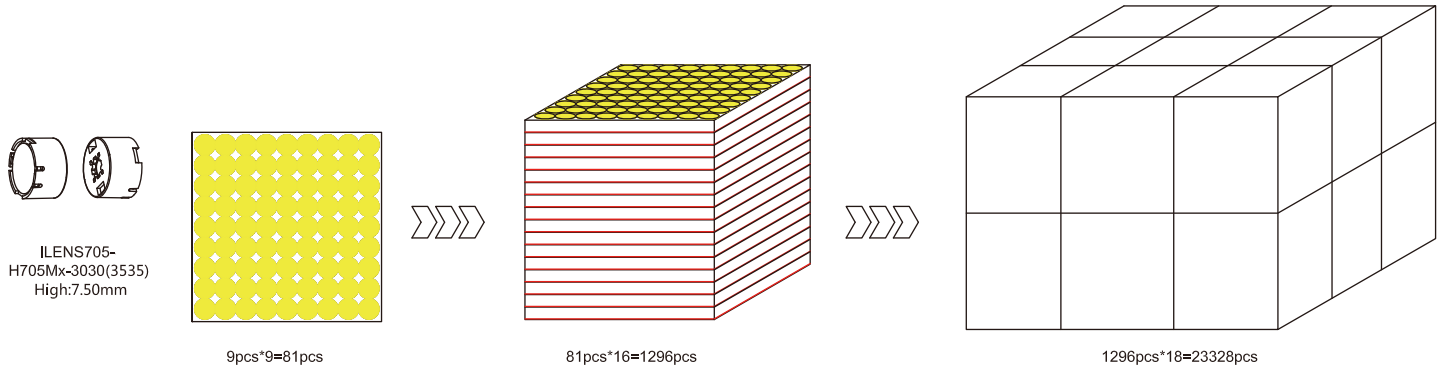
内盒  
cardboard box(S)



外盒  
cardboard box(M) 2:1

型号/Part No.	数量/QTY
ILENS705-S13-M10-H705Mx-3030(3535)	23328pcs
静电纸/MG tissue paper (19g/m <sup>2</sup> )	288pcs
层纸/cardboard (0.4mm thickness)	306pcs
内盒/cardboard box (S)	18pcs
外盒/cardboard box (M)	1pcs

示意图/The schematic diagram:



型号/Part No.	数量/QTY
ILENS705-S13-M10-H705Mx-2PIN	20412pcs
静电纸/MG tissue paper (17g/m <sup>2</sup> )	288pcs
层纸/cardboard (0.4mm thickness)	306pcs
内盒/cardboard box (S)	18pcs
外盒/cardboard box (M)	1pcs

示意图/The schematic diagram:

